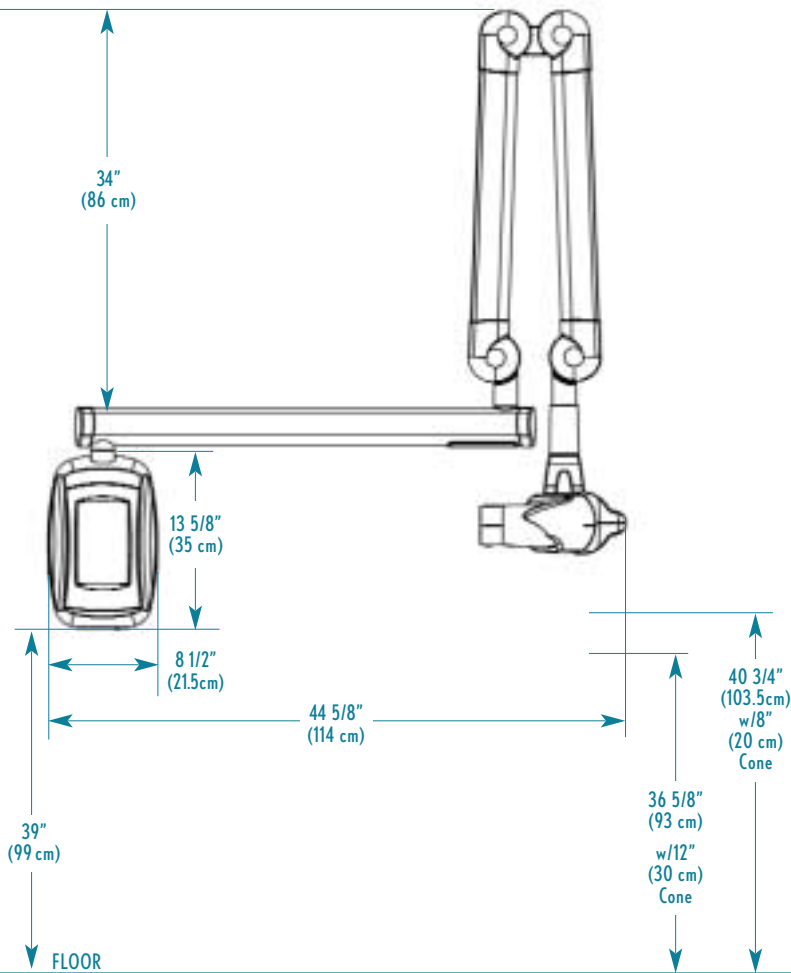
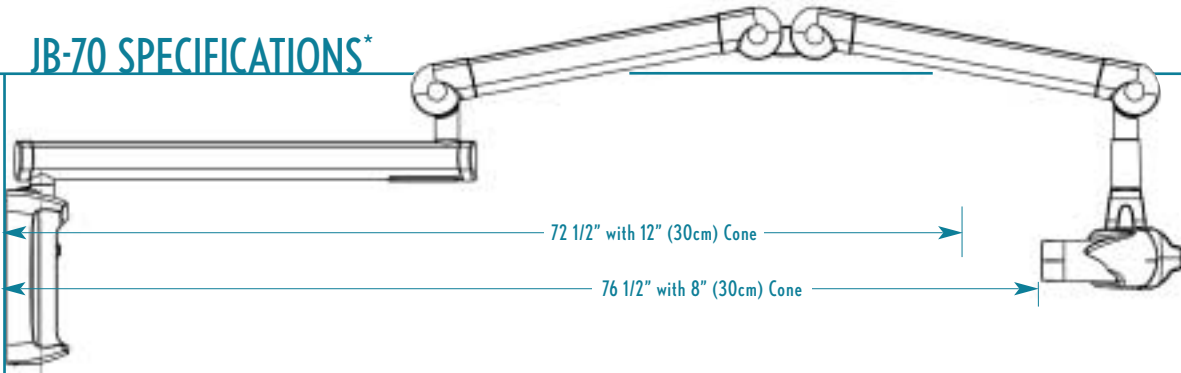


JB-70 SPECIFICATIONS*



Proudly made in the U.S.A.

Line Voltage

a. 120 Vac +/- 10%	50/60 Hz.	Max line current is 10 Amps.
b. 230 Vac +/- 10%	50/60 Hz.	Max line current is 5 Amps.

Tube Potential

70 kVp

Tube Current

8 mA

Exposure Time Selections

50 ms through 1.5 seconds

Cone Length

20 cm (8 inches)

Minimum Inherent Filtration

2 mm Al equivalent

Focal Spot

0.7 mm

Duty Factor

1:60 at 70kVp

Shipping Weight

75 lbs.

Applicable Documents Federal Regulations

21 CFR; UL; CE

Warranty

2 Years, limited

Options:

Exposure handswitch
12" Cone
8" Rectangular cone
Choice of 66" or 76" (total reach)
Two stud mounting plate
Metal stud mounting plate

* Specifications subject to change without notice.

Progeny, Inc.

1407 Barclay Boulevard • Buffalo Grove, Illinois 60089 U.S.A.

Phone: (888) 924-3800 • Fax: (847) 459-5175

www.progenydenal.com